



Commercial
Vehicles

California Ocean Specifications and Options

MY20



Model	Code	2.0l TDI 450Nm SWB 4MOTION
Maximum Retail Price – 7-Speed DSG Automatic Transmission 4MOTION		\$139,000 SGCWH9

Technical Data

Cubic capacity (cm ³)		1,968
Power (kW) @ rpm		150 @ 4,000
Torque (Nm) @ rpm		450 @ 1,400 – 2,400
Cylinders		Four
Fuel Type – Diesel		•
Fuel tank capacity	2G2	80L
Fuel Injection system – common rail direct injection		Bi-Turbo
Emission Standard		Euro 6

Weights and Dimensions

Gross vehicle mass (kg)		3,080
Unladen weight		2,607
Payload (kg)*		473
Axle load limit front / rear (kg)*		1,610 / 1,575
Trailer load limit (kg). 12% gradient (Braked / Unbraked)		2,500 / 750
Length (mm)		5,006
Width (mm, incl. wing mirrors)		2,297
Height (mm)		1,990
Wheelbase (mm)		3,000
Lateral sliding doors (width / height, mm)		1,011 x 1,247
Tailgate (width / height, mm)		1,438 x 1,262
Living space, area (m ²)		4
Turning circle (m)		11.9

Performance and Fuel Consumption

Acceleration 0-100 km/h (sec)		11.1
Top speed (km/h)		195
Fuel consumption combined (L/100km)		7.1

Safety and Security

Electronic Stability Control with brake assistant, ABS (anti-lock braking system), ASR (Anti-spin regulation), EDL (electronic differential lock)	1AK	•
Hill Start Assist	UG1	•

*Maximum Retail Price (MRP) includes 15% GST and does not include on-road costs. Figures will change depending on model derivative and equipment fitted. All measurements listed are based on standard specification vehicles. The actual dimensions may differ slightly from the values stated here. Equipment may affect the unladen weight. A vehicles' actual payload, which is the difference between the gross vehicle weight and the unladen weight, can only be determined by weighing the individual vehicle. Specifications are subject to change without notice. Fuel consumption tested in accordance with EC directive 1999/94/EC and based on NEDC procedure unless stated otherwise. The fuel consumption is measured on European specification cars and may vary depending on specification, road condition, tyres and driving behaviour. Please refer to brochure for further information. Issued 7 April 2020.

Key: • (Standard) NCO (No Cost Option) - (Not available)



Commercial
Vehicles

California Ocean Specifications and Options

MY20

Model	Code	2.0I TDI 450Nm SWB 4MOTION
Lane change assistant "Side Assist"	7Y1	•
Front and rear park distance control with rear view camera system	7X8	•
Central locking system with radio remote control, Safelock, and interior release mechanism	4K3	•
Airbags for driver and front passenger (with front passenger airbag deactivation), belt tensioners, left and right	4UF	•
Side and curtain airbags for driver and front passenger	4X3	•
Anti-theft alarm system with interior monitoring in cab, backup horn and towing protection	7AQ	•
Warning buzzer and light for driver seat belt not fastened	9P1	•
Whiplash head restraints, height adjustable	5ZU	•
Adaptive Cruise Control, Forward Collision Warning, Autonomous Emergency Braking	PAD	•

Wheels and Suspension

17" alloy wheels "Cascavel". Tires 235/55 R17 103W XL	Z3X/Q34	•
18" alloy wheels White "Disc". Tires 255/45 R18 103W (only available with two tone colour white, replaces spare wheel with tire mobility set)	Z3K/Q35	NCO
18" alloy wheels Silver "Disc". Tires 255/45 R18 103W (only available with two tone colour silver, replaces spare wheel with tire mobility set)	Z3J/Q35	NCO
18" alloy wheels "Springfield". Tires 255/45 R18 103W (replaces the spare wheel with a tire mobility set)	Z3I/Q35	NCO
Spare wheel (steel) with original equipment tire	1G2	•
Tool kit and jack	1S1	•
Heavy duty stabilizers, front and rear, independent wheel suspension and telescopic shock absorbers	2MF	•

Functional Equipment

Start Stop System and Ad Blue Technology	PAD	•
Power steering, height and longitudinally adjustable safety steering column	1N1	•
Servotronic (speed sensitive) power steering and longitudinally adjustable safety steering column	1N3	\$850
Two-tone horn	8Y1	•
Instrument cluster (km/h); display of speed, total/trip mileage, rpm, fuel gauge, and time	U5A	•
Child seat anchorage ISOFIX for rear seats	3B3	•
Electrohyd. operated pop-up roof, in body colour, with 3 side windows and 1 front window, canvas in Alpine Grey	J13	•
Electrohyd. operated pop-up roof, in body colour, with 3 side windows and 1 front window, canvas in Strawberry Red (only available with two-tone colour red)	J15	NCO
Electrohyd. operated pop-up roof, in body colour, with 3 side windows and 1 front window, canvas in Glacier Blue	J14	NCO
Camping table (for interior and outside) and 2 folding chairs integrated in tailgate	1U5	•
Power windows	4R1	•
Electrically operated sliding door – opens on the right side (driver's side)	GX5	•
Additional door dust seal outside and further dust protection measures	6U2	•
Compressor refrigerator "Waeco" (approx. 42L)	1W4	•
Fresh water tank (approx. 30L) with fresh water submersible pump	***	•
Kitchen cabinet as a sink/stove combination with up-turnable safety glass cover	***	•
Roof frame panelling with built-in blinds to darken the living space	***	•
2 seater bench / bed movable and folding to build 2 beds (with bed cushion)	3VZ	•
Roof bed (approx. 2,000 x 1,200 mm) with comfort slatted frame	AF2	•
Programmable air parking heater, auxiliary heater	7VG	•
2 auxiliary batteries, maintenance-free (1 with cut-off relay)	8FF	•
4 remote control folding keys	8QM	•
Cruise control	8T1	•
Air Care Climatronic 3-zone automatic climate control with allergen filter, auxiliary heater, and A/C headliner	9AH	•
Headlamp washer system with heated front washer nozzles and washer fluid level indicator	8X1	•
Multi-function display "Plus"	9Q5	•
Multi-function display "Premium" with multi-colour display and Driver Alert System	ZEO	\$450
Leather wrapped multi-function steering wheel, leather gear shift knob	ZE7	•
Operating voltage 12V plus 230 inverter	9Z3	•

*Maximum Retail Price (MRP) includes 15% GST and does not include on-road costs. Figures will change depending on model derivative and equipment fitted. All measurements listed are based on standard specification vehicles. The actual dimensions may differ slightly from the values stated here. Equipment may affect the unladen weight. A vehicles' actual payload, which is the difference between the gross vehicle weight and the unladen weight, can only be determined by weighing the individual vehicle. Specifications are subject to change without notice. Fuel consumption tested in accordance with EC directive 1999/94/EC and based on NEDC procedure unless stated otherwise. The fuel consumption is measured on European specification cars and may vary depending on specification, road condition, tyres and driving behaviour. Please refer to brochure for further information. Issued 7 April 2020.

Key: • (Standard) NCO (No Cost Option) - (Not available)



Commercial
Vehicles

California Ocean Specifications and Options

MY20

Model	Code	2.0l TDI 450Nm SWB 4MOTION
Tow bar preparation	1D7	•

Exterior Features

Radiator grille painted in black, with three chrome mouldings	6KC	•
Body coloured exterior mirrors, power-adjustable and heated	6XN	•
Body coloured door handles and bumpers	6FF + 2JG	•
“Lights and Vision” package incl. auto-dimming rear view mirror, automatic headlamp activation, rain sensor	Z4A	•
LED headlamps with separate LED daytime running lights, Headlight range adjustment automatically controlled, Red LED tail lamp assemblies	PXE	•
Rear fog lamp	8TB	•
Front fog lamps incl. static cornering light	8WH	•
Step lighting at doors in cab and sliding door(s) in passenger compartment	9N3	•
Awning (housing and rail in silver)	NF4	•
Sliding window with fly screen in passenger compartment in front, left	4FJ	•
Sliding window with fly screen in passenger compartment in front, right	4JJ	•
Laminated glass package in cab and insulating glass (privacy glass) in passenger compartment	Z2C	•
Tailgate Tent for using the external shower (orderable via parts)	***	TBC
Chrome package (additional chrome in grille side, turn signal repeaters in chrome look and chrome mouldings (in front in lower air intake, side, and rear), Radiator grille painted in black with chrome mouldings; additional chrome moulding at lower radiator grille)	ZL6	\$700

Interior Features

Swivel front seats with lumbar support	3TQ	•
Bed extension with comfort sleeping mat	3U1	•
Door pockets with 2 compartments each and integrated bottle holders	QE1	•
Seat heater for seats in cab, left and right, separately controllable	4A3	•
Armrests for both seats in cab	4S1	•
Lockable storage compartment	4Y2	•
Interior light concept for Camper "Comfort Plus" incl. lighting in the pop-up roof and the tailgate/trunk lid	9CE	•
Sun visor including vanity mirror (illuminated) with cover and pocket	5XH	•
Carpet floor covering in cab	5AD	•
Plastic floor covering in passenger compartment	5BE	•
Floor covering in passenger compartment in wood trim	5BH	\$1,000
Cupboard in "White Wood", with outdoor shower connection	I18	\$900
Cupboard in "Dark Wood", with outdoor shower connection	I16	\$600
Decorative insert "Dark Silver Brushed", decorative strip in "Anthracite Metallic"	5MB	•
Decorative material: decorative insert "Linearus", decorative strip matched with the colour of the lower top coat (i.e. Cherry Red, Glacier Blue)	5MN	NCO
Decorative material: decor. insert "Dark Silver Brushed", decor. strip matched with the colour of the lower top coat (i.e. Cherry Red, Glacier Blue)	5MC	NCO
Soft folding grab handles on roof frame	5N6	•
Grab handle as entry aid on A-pillar on driver's and front passenger side	6X4	•
12V outlet with cigarette lighter, ashtray, and 2 beverage holders in dashboard	9JC	•
Comfort dashboard with wide center console and bottle compartment	4N3	•
Dimmable dashboard illumination	7V0	•
Seat trim covers in fabric "Valley"	N2N	•
Seat trim covers in fabric "Alcantara"	N7N	\$3,000

*Maximum Retail Price (MRP) includes 15% GST and does not include on-road costs. Figures will change depending on model derivative and equipment fitted. All measurements listed are based on standard specification vehicles. The actual dimensions may differ slightly from the values stated here. Equipment may affect the unladen weight. A vehicles' actual payload, which is the difference between the gross vehicle weight and the unladen weight, can only be determined by weighing the individual vehicle. Specifications are subject to change without notice. Fuel consumption tested in accordance with EC directive 1999/94/EC and based on NEDC procedure unless stated otherwise. The fuel consumption is measured on European specification cars and may vary depending on specification, road condition, tyres and driving behaviour. Please refer to brochure for further information. Issued 7 April 2020.

Key: • (Standard) NCO (No Cost Option) - (Not available)



Commercial
Vehicles

California Ocean Specifications and Options

MY20

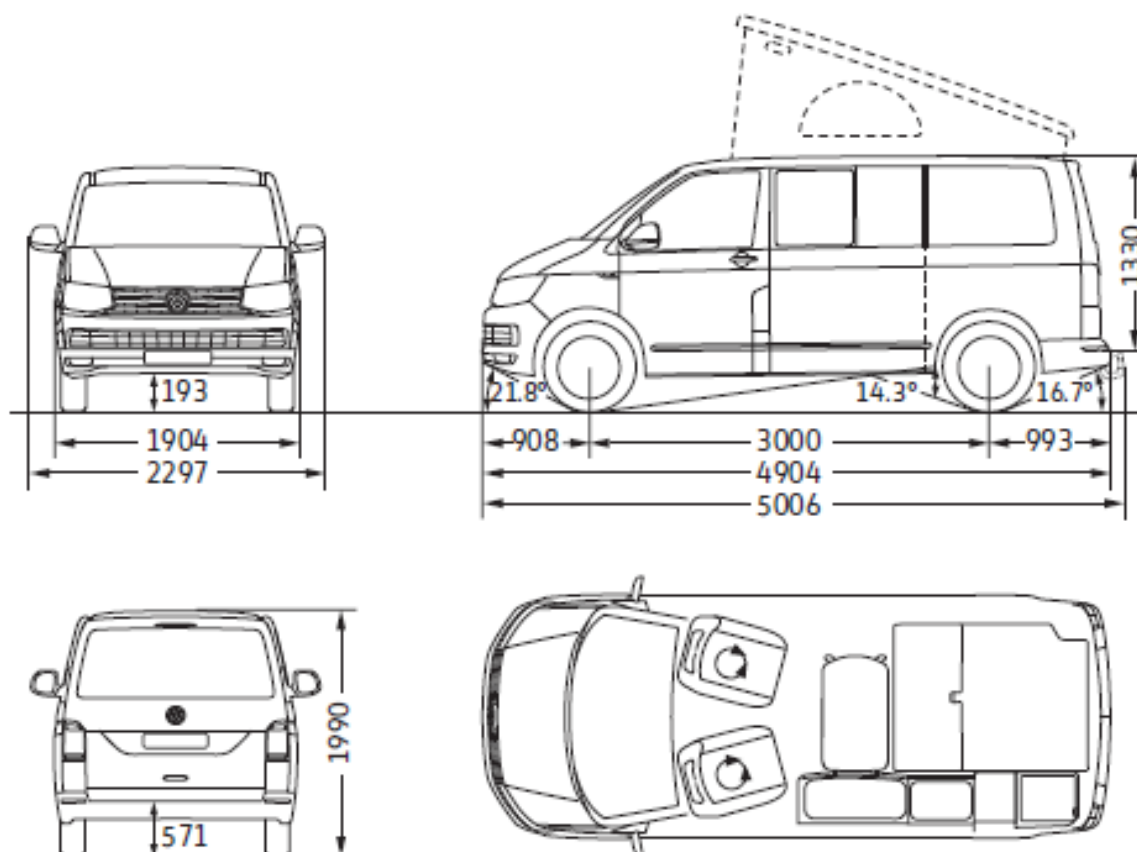
Model	Code	2.0l TDI 450Nm SWB 4MOTION
-------	------	----------------------------------

Multimedia

Navigation system "Discover Media", 8 speakers, with 6.33-inch touch screen	ZI7 / 77T	•
Media Control with App-Connect	9WX	•
Cell phone interface and WLAN interface	9IE	•
Digital sound pack "DYNAUDIO" for California: 4 tweeters, 3 midrange speakers, 4 woofers, 1 11-channel amplifier	9VP	\$3,000

Warranty and Servicing

5-year / 150,000 km mechanical warranty (whichever occurs first) & 5-year Volkswagen Roadside Assistance		•
12 year anti-corrosion warranty		•
Up to 40,000 km (or every two years) oil service intervals		•



*Maximum Retail Price (MRP) includes 15% GST and does not include on-road costs. Figures will change depending on model derivative and equipment fitted. All measurements listed are based on standard specification vehicles. The actual dimensions may differ slightly from the values stated here. Equipment may affect the unladen weight. A vehicles' actual payload, which is the difference between the gross vehicle weight and the unladen weight, can only be determined by weighing the individual vehicle. Specifications are subject to change without notice. Fuel consumption tested in accordance with EC directive 1999/94/EC and based on NEDC procedure unless stated otherwise. The fuel consumption is measured on European specification cars and may vary depending on specification, road condition, tyres and driving behaviour. Please refer to brochure for further information. Issued 7 April 2020.

Key: • (Standard) NCO (No Cost Option) - (Not available)