

# Amarok V6 Edition R.

## Specifications MY2019.



Commercial  
Vehicles



**Commercial  
Vehicles**

## Amarok Edition R 4MOTION Specifications and Options

MY19

Model	Code	Amarok V6 Edition R 165kW 550Nm TDI
<b>Maximum Retail Price – 8-Speed Automatic Transmission</b>		<b>\$86,000</b> <b>S6BC7AER</b>
<b>Technical Data</b>		
Power (kW) @ rpm		165 @ 3,000 – 4,000
Power Max Incl. Overboost (kW)* @ rpm		180 @ 3,500 – 4,000
Torque (Nm) @ rpm		550 @ 1,400 – 2,750
Cylinders		6
Displacement in cm <sup>3</sup>		2,967
Fuel Type - Diesel		•
Fuel Injection system – common rail direct injection		VTG-Turbo
Fuel tank capacity, approximate (litres)		80
Emission Standard		EU5
Fuel consumption, combined, in l/100 km		8.9
Top Speed in km/h (based on automatic)		235
Acceleration 0 – 100 km/h (s) (based on automatic)		7.9
Drivetrain – 4MOTION four-wheel drive with Torsen Differential		Permanent
Spring load system - standard 2+1 leaf springs on ladder frame chassis (Increases tow limit, reduces GVM and payload for the cargo area)	1BA	•
<b>Weights and Dimensions</b>		
Gross vehicle mass (kg) with 2+1 leaf springs	01B/Z4P	2,920
Payload (kg, max) based on standard equipment (with 2+1 leaf springs)		716
Unladen weight (kg, min) based on standard equipment		2,204
Trailer load limit (kg). 12% gradient. 140kg down ball load. (Braked / Unbraked). (With standard 2+1 leaf springs)	EX1	3,500 / 750
Gross train weight (kg). 12% gradient		6,000

\*Maximum Retail Price (MRP) includes 15% GST and does not include on-road costs. Figures will change depending on model derivative and equipment fitted. All measurements listed are based on standard specification vehicles. The actual dimensions may differ slightly from the values stated here. Equipment may affect the unladen weight. A vehicle's actual payload, which results from calculating the difference between the gross vehicle weight and the unladen weight, can only be determined by weighing the individual vehicle. Specifications are subject to change without notice. Fuel consumption tested in accordance with EC directive 1999/94/EC and based on NEDC procedure unless stated. The fuel consumption is measured on European specification cars and may vary depending on specification, road condition, tyres and driving behaviour. Overboost function works only under specific conditions. Please refer to Volkswagen NZ website for further information. Issued 6 June 2019.

Key: • (Standard) NCO (No Cost Option) - (Not available)



Commercial  
Vehicles

## Amarok Edition R 4MOTION Specifications and Options

MY19

Model	Code	Amarok V6 Edition R 165kW 550Nm TDI
<b>Safety and Security</b>		
Airbags - driver & front passenger, with front passenger airbag deactivation	4UD	•
Airbags – side and curtain airbag for front passengers	4X3	•
Anti-dive ramp on all seat bases		•
2 Remote control folding keys	8QK	•
Anti-theft alarm system with interior monitoring, backup horn, towing protection, and all-door unlocking	7AS	•
Anti-spin regulation (ABS/ASR) including Off-road ABS, along with electronic differential lock (EDL)	1AT	•
Central locking system with radio remote control, interior release mechanism, and SAFELOCK	4K3	•
Daytime running lights	8K3	•
ESP (Electronic Stability Program) with hill start / descent assist and trailer stabilisation	1AT	•
5 x 3-point lap and diagonal seatbelts		•
17-inch disk brakes front and 16-inch disc brakes in the rear with EDB (electronic brake-force distribution)	2E4	•
Warning buzzer and light for driver seatbelt not fastened	9P1	•
<b>Wheels</b>		
20" Hyper Dark Alloys – Exclusive to Edition R	ER20	•
Cooper Zeon LTZ 285/50R20 All Terrain tyres	CO20	•
Spare wheel with original equipment tire	1G2	•
<b>Functional Equipment</b>		
Climatronic two-zone automatic air-conditioning, with separate temperature control for driver and front passenger	KH4	•
Cruise control	8T1	•
Power steering and height and longitudinally adjustable safety steering column	1N1	•
Multi-function display Plus	9Q5	•
Electric front and rear windows, with anti-trap function and electrically adjustable and heated side door mirrors	6XD /4R1	•
High-mounted centre stop lamp	8R1	•
Halogen headlights	8ID	•
<b>LED light bar integrated in to front bumper (off-road use only)</b>	ERL	•
Light & Vision – Rain sensor, auto lights, auto dimming interior mirror, coming home and leaving home function	ZL2	•
Washer fluid level indicator	8W1	•
Park distance control in rear with rear view camera system	7X7	•
Rear tray – 4 folding lashing eyes for load securing	6B4	•
Rear tailgate, lockable	3RQ	•

\*Maximum Retail Price (MRP) includes 15% GST and does not include on-road costs. Figures will change depending on model derivative and equipment fitted. All measurements listed are based on standard specification vehicles. The actual dimensions may differ slightly from the values stated here. Equipment may affect the unladen weight. A vehicle's actual payload, which results from calculating the difference between the gross vehicle weight and the unladen weight, can only be determined by weighing the individual vehicle. Specifications are subject to change without notice. Fuel consumption tested in accordance with EC directive 1999/94/EC and based on NEDC procedure unless stated. The fuel consumption is measured on European specification cars and may vary depending on specification, road condition, tyres and driving behaviour. Overboost function works only under specific conditions. Please refer to Volkswagen NZ website for further information. Issued 6 June 2019.

Key: • (Standard) NCO (No Cost Option) - (Not available)



Commercial  
Vehicles

## Amarok Edition R 4MOTION Specifications and Options

MY19

Model	Code	Amarok V6 Edition R 165kW 550Nm TDI
<b>Exterior Features</b>		
Colour coded front bumper, Black rear bumper with integrated step	2JF/0S2R	•
<b>Electric Rear Lid with remote</b>	ERL	•
Front fog lights with cornering function	8WH	•
Mud flaps, front and rear	6N2	•
<b>Front side windows in heat insulating glass and Privacy glass for front &amp; rear windows</b>	ER5	•
Tow bar preparation	1D7	•
<b>Side Steps in Black</b>	ERS	•
<b>Exclusive Edition R Decals</b>	ERD	•
<b>Black Optic Package</b>	ERB	•
Exterior Paint options: Candy White, Deep Black, Reflex Silver & Tornado Red		Limited units only
<b>Interior Features</b>		
Chrome elements in the passenger compartment	ERC	•
Floor covering – carpet	5BF/5AD	•
Front centre armrest & storage console with upholstered cover	3D2	•
Grab handles – four folding handles in the headlining		•
<b>Monza Seats with Integrated Shoulder Bolsters &amp; Honeycomb Stitching</b>	MONZA	•
Leather-covered multi-function steering wheel, gear lever grip and hand brake handle	ZM1	•
Lumbar support for seats in 1 <sup>st</sup> row, manually adjustable	7P4	•
<b>Heated Seats for Driver and Front Passenger</b>	ERH	•
Seats, comfort front seats with manual height adjustment, driver and passenger	3L3	•
<b>Seat covering - "Monza" leather upholstery</b>	ERSE	•
3 rear headrests, seatbelt reminder and Isofix points in the outer rear seats	9P3/3Q6	•
3 seat cinema-style bench seat. Elevated higher than front seats for increased visibility. 1/3 to 2/3 split folding (upwards) to provide extra storage space. Backrest folds down in one piece. Storage Compartment for small items behind the bench seat.	3UH	•
Storage compartments – up to 1.5L bottles in front door pockets and up to 1L bottles in rear door pockets, 2 cup holders in centre console	3D2	•
Leather parts: hand brake lever and gearshift knob in leather	3HB	•
Sun visor, left and right, with vanity mirror and airbag warning label on front passenger side	5XR	•
Storage compartments under front seats - 2 cup holders in rear tray	QN4	•
12V power outlet		4x

\*Maximum Retail Price (MRP) includes 15% GST and does not include on-road costs. Figures will change depending on model derivative and equipment fitted. All measurements listed are based on standard specification vehicles. The actual dimensions may differ slightly from the values stated here. Equipment may affect the unladen weight. A vehicle's actual payload, which results from calculating the difference between the gross vehicle weight and the unladen weight, can only be determined by weighing the individual vehicle. Specifications are subject to change without notice. Fuel consumption tested in accordance with EC directive 1999/94/EC and based on NEDC procedure unless stated. The fuel consumption is measured on European specification cars and may vary depending on specification, road condition, tyres and driving behaviour. Overboost function works only under specific conditions. Please refer to Volkswagen NZ website for further information. Issued 6 June 2019.

Key: • (Standard) NCO (No Cost Option) - (Not available)



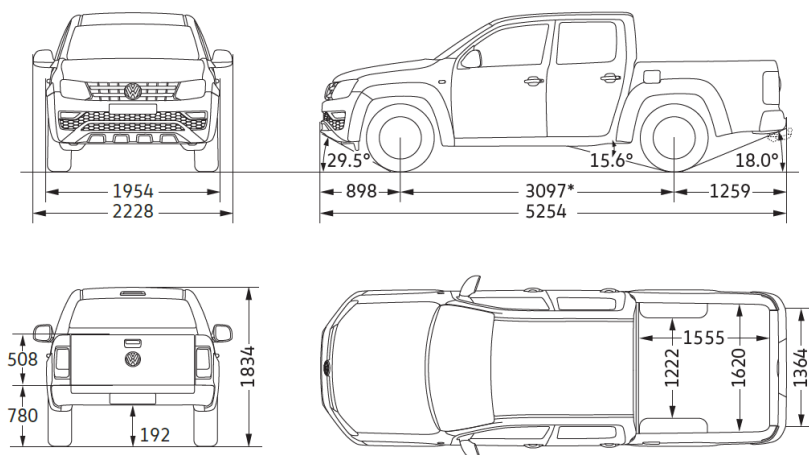


Commercial  
Vehicles

## Amarok Edition R 4MOTION Specifications and Options

MY19

Model	Code	Amarok V6 Edition R 165kW 550Nm TDI
<b>Multimedia</b>		
Radio Composition Media, 6 speakers, 6.33-inch touch screen, Voice Enhancer + Voice control, USB interface (incl. iPod/iPhone/ iPad-capable), and AUX-IN jack, App-Connect, Mobile phone interface	Z14/9ZX	•
<b>Warranty and Servicing</b>		
5 year / 150,000 km mechanical warranty		•
6 year anti-corrosion warranty		•
5 year Volkswagen Roadside Assistance		•
Up to 20,000 km (or every one year) oil service intervals		•



\*This value applies for unladen weight. When loaded, the wheelbase is 3,090 mm.



\*Maximum Retail Price (MRP) includes 15% GST and does not include on-road costs. Figures will change depending on model derivative and equipment fitted. All measurements listed are based on standard specification vehicles. The actual dimensions may differ slightly from the values stated here. Equipment may affect the unladen weight. A vehicle's actual payload, which results from calculating the difference between the gross vehicle weight and the unladen weight, can only be determined by weighing the individual vehicle. Specifications are subject to change without notice. Fuel consumption tested in accordance with EC directive 1999/94/EC and based on NEDC procedure unless stated. The fuel consumption is measured on European specification cars and may vary depending on specification, road condition, tyres and driving behaviour. Overboost function works only under specific conditions. Please refer to Volkswagen NZ website for further information. Issued 6 June 2019.

Key: • (Standard) NCO (No Cost Option) - (Not available)