

Amarok V6 Dark Label Special Edition. Specifications MY2019.



Commercial
Vehicles



**Commercial
Vehicles**

Amarok Dark Label 4MOTION Specifications and Options

MY19

Model	Code	Amarok V6 Highline 165kW 550Nm TDI
Maximum Retail Price – 8-Speed Automatic Transmission		\$83,000 S6BC7ADL
Technical Data		
Power (kW) @ rpm		165 @ 3,000 – 4,000
Power Max Incl. Overboost (kW)* @ rpm		180 @ 3,500 – 4,000
Torque (Nm) @ rpm		550 @ 1,400 – 2,750
Cylinders		6
Displacement in cm ³		2,967
Fuel Type - Diesel		•
Fuel Injection system – common rail direct injection		VTG-Turbo
Fuel tank capacity, approximate (litres)		80
Emission Standard		EU5
Fuel consumption, combined, in l/100 km		8.9
Top Speed in km/h (based on automatic)		235
Acceleration 0 – 100 km/h (s) (based on automatic)		7.9
Drivetrain – 4MOTION four-wheel drive with Torsen Differential		Permanent
Spring load system - standard 2+1 leaf springs on ladder frame chassis (Increases tow limit, reduces GVM and payload for the cargo area)	1BA	•
Weights and Dimensions		
Gross vehicle mass (kg) with 2+1 leaf springs	01B/Z4P	2,920
Payload (kg, max) based on standard equipment (with 2+1 leaf springs)		716
Unladen weight (kg, min) based on standard equipment		2,204
Trailer load limit (kg). 12% gradient. 140kg down ball load. (Braked / Unbraked). (With standard 2+1 leaf springs)	EX1	3,500 / 750
Gross train weight (kg). 12% gradient		6,000

*Maximum Retail Price (MRP) includes 15% GST and doesn't include on-road costs. ^The Volkswagen 5-year / 150,000km mechanical warranty and 5-year Roadside Assistance offer is available between 01/07/2019 – 30/09/2019. Figures provided are dependent on model and options fitted. Options fitted may affect the vehicle's unladen weight. All measurements are based on standard specification vehicles. The actual dimensions may differ from the stated values. A vehicle's actual payload (gross vehicle mass minus unladen weight) can only be determined by weighing the vehicle. Specifications are subject to change without notice. Fuel consumption tested in accordance with EC directive 1999/94/EC and based on NEDC procedure unless stated. Fuel consumption is measured on European specification cars and may vary depending on specification, road condition, tyres and driving behaviour. Overboost function works only under specific conditions. Please refer to Volkswagen NZ website for further information. Issued 11 July 2019.

Key: • (Standard) NCO (No Cost Option) - (Not available)

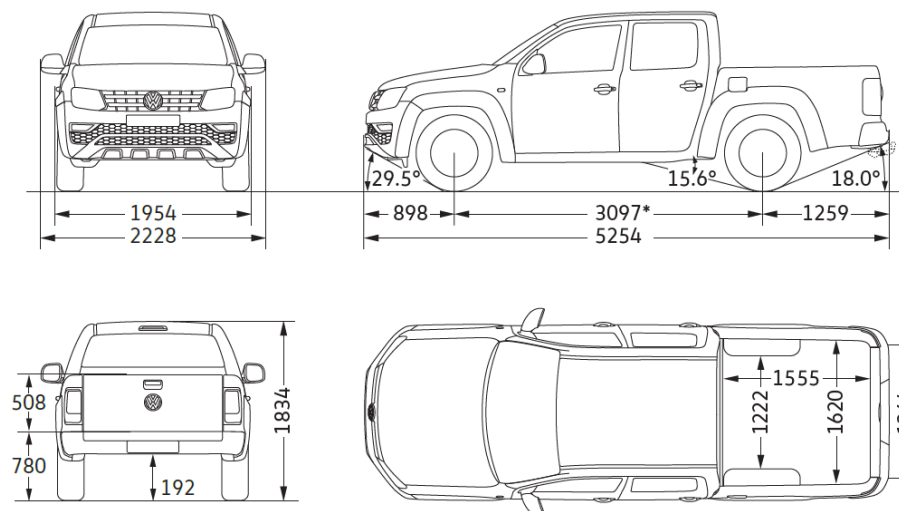


Commercial
Vehicles

Amarok Dark Label 4MOTION Specifications and Options

MY19

Model	Code	Amarok V6 Highline 165kW 550Nm TDI
-------	------	---------------------------------------



*This value applies for unladen weight. When loaded, the wheelbase is 3,090 mm.

Safety and Security

Airbags - driver & front passenger, with front passenger airbag deactivation	4UD	•
Airbags – side and curtain airbag for front passengers	4X3	•
Anti-dive ramp on all seat bases		•
2 Remote control folding keys	8QK	•
Anti-theft alarm system with interior monitoring, backup horn, towing protection, and all-door unlocking	7AS	•
Anti-spin regulation (ABS/ASR) including Off-road ABS, along with electronic differential lock (EDL)	1AT	•
Central locking system with radio remote control, interior release mechanism, and SAFELOCK	4K3	•
Daytime running lights	8K3	•
ESP (Electronic Stability Program) with hill start / descent assist and trailer stabilisation	1AT	•
5 x 3-point lap and diagonal seatbelts		•

*Maximum Retail Price (MRP) includes 15% GST and doesn't include on-road costs. ^The Volkswagen 5-year / 150,000km mechanical warranty and 5-year Roadside Assistance offer is available between 01/07/2019 – 30/09/2019. Figures provided are dependent on model and options fitted. Options fitted may affect the vehicle's unladen weight. All measurements are based on standard specification vehicles. The actual dimensions may differ from the stated values. A vehicle's actual payload (gross vehicle mass minus unladen weight) can only be determined by weighing the vehicle. Specifications are subject to change without notice. Fuel consumption tested in accordance with EC directive 1999/94/EC and based on NEDC procedure unless stated. Fuel consumption is measured on European specification cars and may vary depending on specification, road condition, tyres and driving behaviour. Overboost function works only under specific conditions. Please refer to Volkswagen NZ website for further information. Issued 11 July 2019.

Key: • (Standard) NCO (No Cost Option) - (Not available)



**Commercial
Vehicles**

Amarok Dark Label 4MOTION Specifications and Options

MY19

Model	Code	Amarok V6 Highline 165kW 550Nm TDI
332mm diameter disc brakes front and 300mm diameter disc brakes in the rear with EBD (electronic brake-force distribution)	2E4	•
Warning buzzer and light for driver seatbelt not fastened	9P1	•
Wheels		
18" Rawson alloys with flared wheel arches and 255/60 112T tyres - Anthracite	ZRV	•
Spare steel wheel with original equipment tire	1G2	•
Functional Equipment		
Climatronic two-zone automatic air-conditioning, with separate temperature control for driver and front passenger	KH4	•
Cruise control	8T1	•
Power steering and height and longitudinally adjustable safety steering column	1N1	•
Multi-function display Plus	9Q5	•
Electric front and rear windows, with anti-trap function and electrically adjustable and heated side door mirrors	6XD / 4R1	•
High-mounted centre stop lamp	8R1	•
Bi-Xenon headlights with LED daytime running lights	ZF5 / 8IH	•
Light & Vision – Rain sensor, auto lights, auto dimming interior mirror, coming home and leaving home function	ZL2	•
Washer fluid level indicator	8W1	•
Park distance control in front and rear with rear view camera system	7X8	•
Rear tray – 4 folding lashing eyes for load securing	6B4	•
Rear tailgate, lockable	3RQ	•
Exterior Features		
Colour coded front bumper, black door handles and black door mirrors. Black rear bumper with integrated step	2JF/0S2	•
Wheel arches painted black	**	•
Front fog lights with cornering function	8WH	•
Mud flaps, front and rear	6N2	•
Front side windows in heat insulating glass and Privacy glass for rear passenger windows	QL5	•
Tow bar preparation	1D7	•
Style Bar in black, nerf bars in black & integrated LED spot lights	YFD / YDB	•
Durabed UV-resistant tray liner	YMB / 3GJ	•
Sill pipe preparation for LED lightning	NU2	•

Interior Features

*Maximum Retail Price (MRP) includes 15% GST and doesn't include on-road costs. ^The Volkswagen 5-year / 150,000km mechanical warranty and 5-year Roadside Assistance offer is available between 01/07/2019 – 30/09/2019. Figures provided are dependent on model and options fitted. Options fitted may affect the vehicle's unladen weight. All measurements are based on standard specification vehicles. The actual dimensions may differ from the stated values. A vehicle's actual payload (gross vehicle mass minus unladen weight) can only be determined by weighing the vehicle. Specifications are subject to change without notice. Fuel consumption tested in accordance with EC directive 1999/94/EC and based on NEDC procedure unless stated. Fuel consumption is measured on European specification cars and may vary depending on specification, road condition, tyres and driving behaviour. Overboost function works only under specific conditions. Please refer to Volkswagen NZ website for further information. Issued 11 July 2019.

Key: • (Standard) NCO (No Cost Option) - (Not available)



**Commercial
Vehicles**

Amarok Dark Label 4MOTION Specifications and Options

MY19

Model	Code	Amarok V6 Highline 165kW 550Nm TDI
Highline chrome elements in the passenger compartment	6KG	•
Floor covering – carpet	5BF/5AD	•
Front centre armrest & storage console with upholstered cover	3D2	•
Grab handles – four folding handles in the headlining		•
Dark Interior Headlining with dark A & B-Pillar, Dark grab handles (one fixed at passenger A-pillar, one each B-Pillar)	***	•
Leather-covered multi-function steering wheel, gear lever grip and hand brake handle	ZM1	•
Lumbar support for seats in 1 st row, manually adjustable	7P4	•
Paddle shift levers	ZM1 /1XX	•
Seats, comfort front seats with manual height adjustment, driver and passenger	3L3	•
Seat covering - "Vienna" leather upholstery	TR-N1D	"Vienna"
Heated front driver and passenger seats, and heated washer nozzles	ZW1	•
3 rear headrests, seatbelt reminder and Isofix points in the outer rear seats	9P3/3Q6	•
3 seat cinema-style bench seat. Elevated higher than front seats for increased visibility. 1/3 to 2/3 split folding (upwards) to provide extra storage space. Backrest folds down in one piece. Storage Compartment for small items behind the bench seat.	3UH	•
Storage compartments – up to 1.5L bottles in front door pockets and up to 1L bottles in rear door pockets, 2 cup holders in centre console	3D2	•
Leather parts: hand brake lever and gearshift knob in leather	3HB	•
Sun visor, left and right, with vanity mirror and airbag warning label on front passenger side	5XR	•
Storage compartments under front seats - 2 cup holders in rear tray	QN4	•
12V power outlet		4x
Multimedia		
Radio Composition Media, 6 speakers, 6.33-inch touch screen, Voice Enhancer + Voice control, USB interface (incl. iPod/iPhone/ iPad-capable), and AUX-IN jack, App-Connect, Mobile phone interface	ZI4/9ZX	•
Warranty and Servicing		
Special Offer [^] : 5-year / 150,000 km mechanical warranty (whichever occurs first) & 5-year Volkswagen Roadside Assistance		•
6 year anti-corrosion warranty		•
Up to 20,000 km (or every one year) oil service intervals		•

*Maximum Retail Price (MRP) includes 15% GST and doesn't include on-road costs. ^The Volkswagen 5-year / 150,000km mechanical warranty and 5-year Roadside Assistance offer is available between 01/07/2019 – 30/09/2019. Figures provided are dependent on model and options fitted. Options fitted may affect the vehicle's unladen weight. All measurements are based on standard specification vehicles. The actual dimensions may differ from the stated values. A vehicle's actual payload (gross vehicle mass minus unladen weight) can only be determined by weighing the vehicle. Specifications are subject to change without notice. Fuel consumption tested in accordance with EC directive 1999/94/EC and based on NEDC procedure unless stated. Fuel consumption is measured on European specification cars and may vary depending on specification, road condition, tyres and driving behaviour. Overboost function works only under specific conditions. Please refer to Volkswagen NZ website for further information. Issued 11 July 2019.

Key: • (Standard) NCO (No Cost Option) - (Not available)